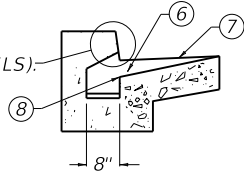
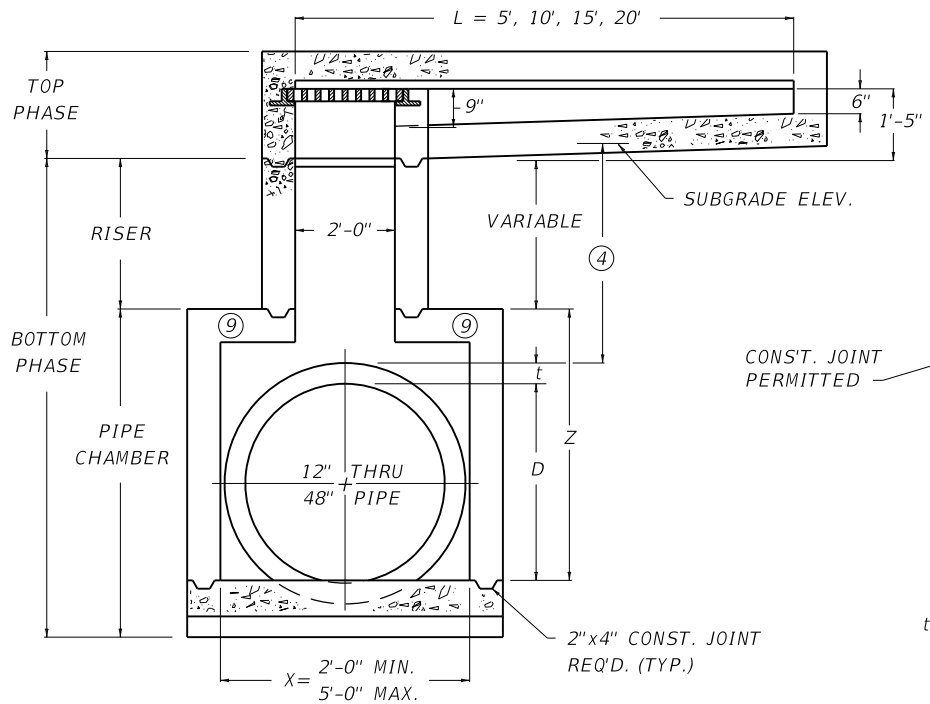


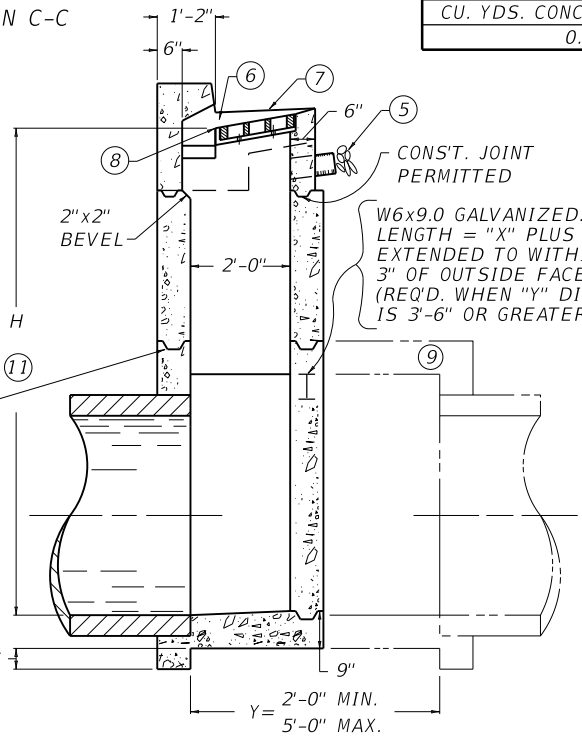
PLAN VIEW



SECTION C-C



SECTION A-A

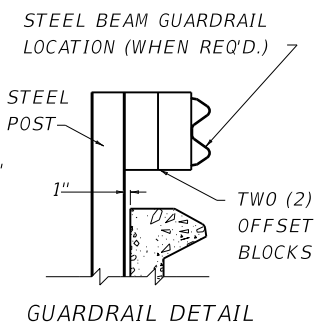


SECTION B-B

~ NOTES ~

- BID ITEM AND UNIT TO BID
 CURB BOX INLET TYPE B Δ EACH
 Δ (B) = BOTTOM PHASE ONLY Δ (T) = TOP PHASE ONLY
 NO SUFFIX INDICATES COMPLETE INLET.
- INLET SHALL BE CONSTRUCTED IN TWO PHASES (BOTTOM AND TOP).
 - SEE CUR. STD. DWGS. [RDB-281](#) [RDB-282](#) [RDB-283](#) [RDB-400](#) [RDB-410](#) AND [RDB-420](#) FOR STEEL PATTERN, DIMENSIONS AND QUANTITIES.
 - ALL WALLS, SLABS AND GUTTERS ARE 8" THICK UNLESS OTHERWISE INDICATED.
 - 24" DESIRED COVER, 12" MINIMUM COVER.
 - SPALLS OR CRUSHED STONE AROUND END OF A 4" OR 6" PIPE FOR SUBGRADE DRAINAGE.
 - 4" MINIMUM DRAWDOWN.
 - GUTTER CROSS SLOPE.
 - FLOW LINE (4" BELOW NORMAL GUTTERLINE ELEVATION).
 - LID MAY BE RAISED OR LOWERED IF APPROVED BY THE ENGINEER.
 - "t" IS CONCRETE PIPE WALL THICKNESS OR METAL PIPE CORRUGATION DEPTH.
 - MINIMUM HEIGHT
 $H = Z + 1'-4"$ FOR ALL CURB TYPES
 - SEE CUR. STD. DWG. [RDB-282](#) FOR FRAME AND GRATE DETAIL.

RISER	
CU. YDS. CONC. PER FT. HT.	0.3



USE WITH CUR. STD. DWGS.
[RDB-281](#) [RDB-282](#) [RDB-283](#)
[RDB-400](#) [RDB-410](#) [RDB-420](#)

KENTUCKY
 DEPARTMENT OF HIGHWAYS

CURB BOX INLET
 TYPE B
 (DETAIL DRAWING)

STANDARD DRAWING NO. RDB-280-06

SUBMITTED *William D. Spindel* 12-01-15
DIRECTOR OF DESIGN DATE

APPROVED *Spindel* 12-01-15
STATE REGISTERED ENGINEER DATE